

FEATURES & BENEFITS

- **4Q reversing:** Regenerative/4 quadrant drives have the ability to perform quick, contactorless reversing on-the-fly!
- **MM footprint (RG25U only):** An extremely compact size in an industry standard mounting footprint.
- **Speed range and regulation:** 3% regulation over 50:1 speed range.
- **User adjustable calibration pots:** IR compensation, max speed, forward torque, reverse torque and deadband.
- **Stopping modes:** Regenerative braking (N.O.).
- **Screw terminal block (RG51UA) and spade terminals (RG25U):** Easy to terminate wires.

RG Series Specifications

Models	Input Voltage (AC)	Output Voltage (VDC)	Max. Output Current (ADC)	Form Factor	Hp Rating
RG25U	115	60-75	5	1.77	1/8 – 1/2
RG51UA	115	60-75	5	1.77	1/8 – 1/2

Drives operate from 50 - 60 Hz.

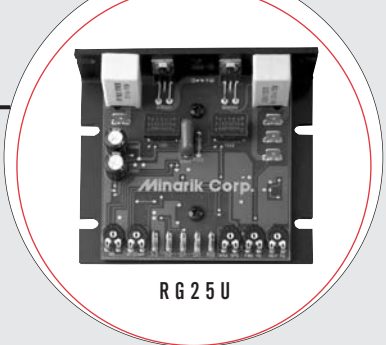
Regenerative drives, like Minarik’s RG25U and RG51UA, control brush-type DC motors for applications that require bi-directional variable speed and smooth motoring or braking torque in either direction of rotation. The RG25U and RG51UA are ideal for OEMs: These half-wave SCR drives deliver 1/8 through 1/2 Hp. The compact size and low-cost distinguish them from other regenerative drives on the market. The RG25U drive uses the same chassis as our popular single-quadrant SCR drive, the MM23001C. It is one of the smallest 1/2 Hp Regens on the market.

Applications with overhauling loads, rapid deceleration, basic positioning, reversing and braking benefit from these versatile regenerative drives. These drives are ideal for low duty cycle applications.

RG Series

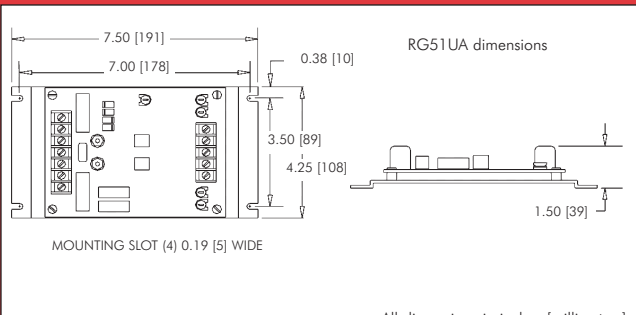
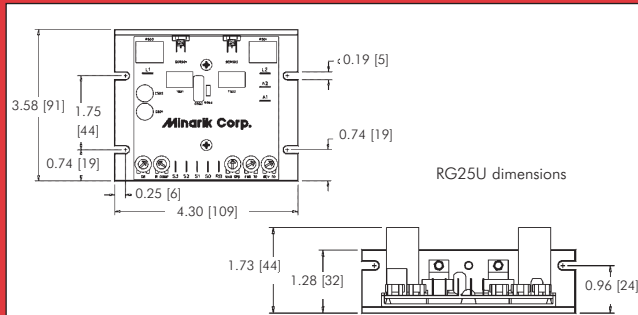
Typical Applications

- **Conveyors**
- **Textile Machinery**
- **Printing Machinery**
- **Packaging Machinery**
- **Door Openers**



RG25U

RG Dimensions



All dimensions in inches [millimeters].

For matching DC motors, see pages 37 to 48.